



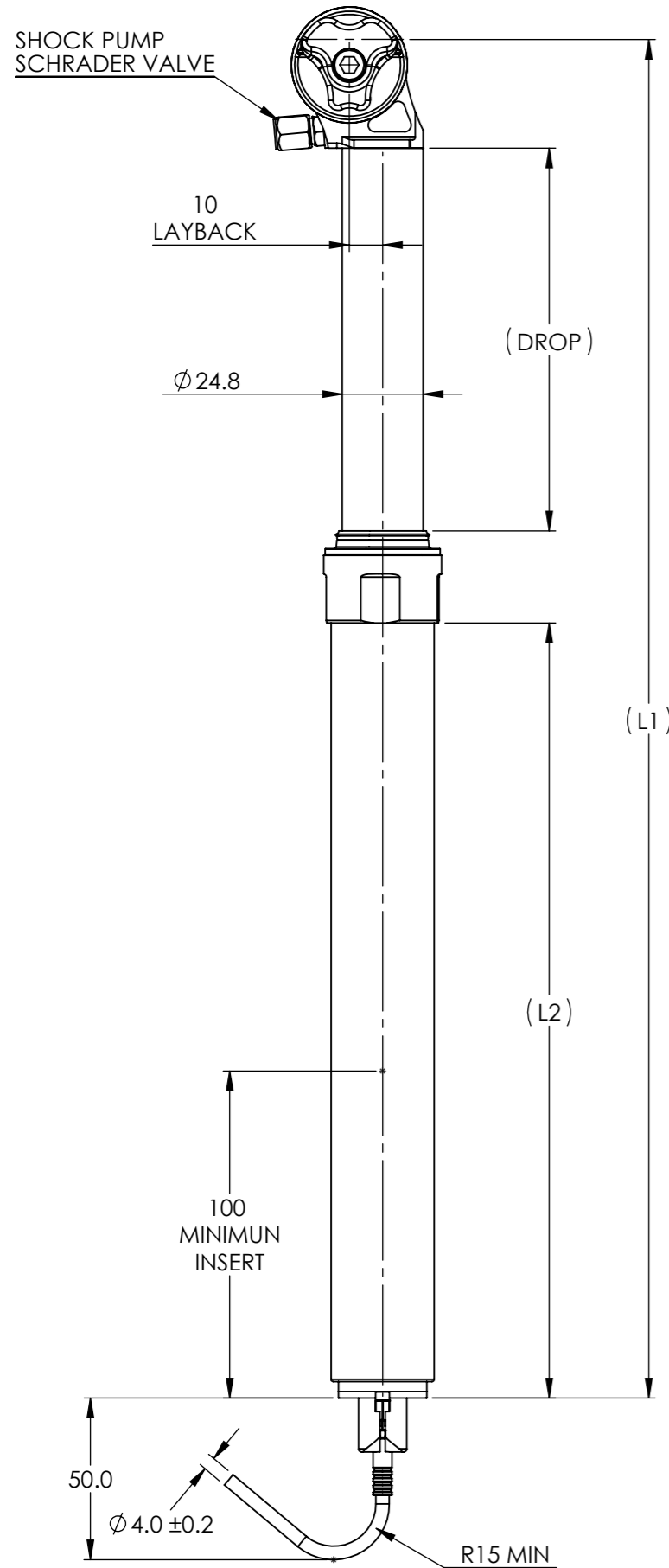
HELIX DIMENSIONS

DRAWING NOT TO SCALE
ALL DIMENSIONS IN MM

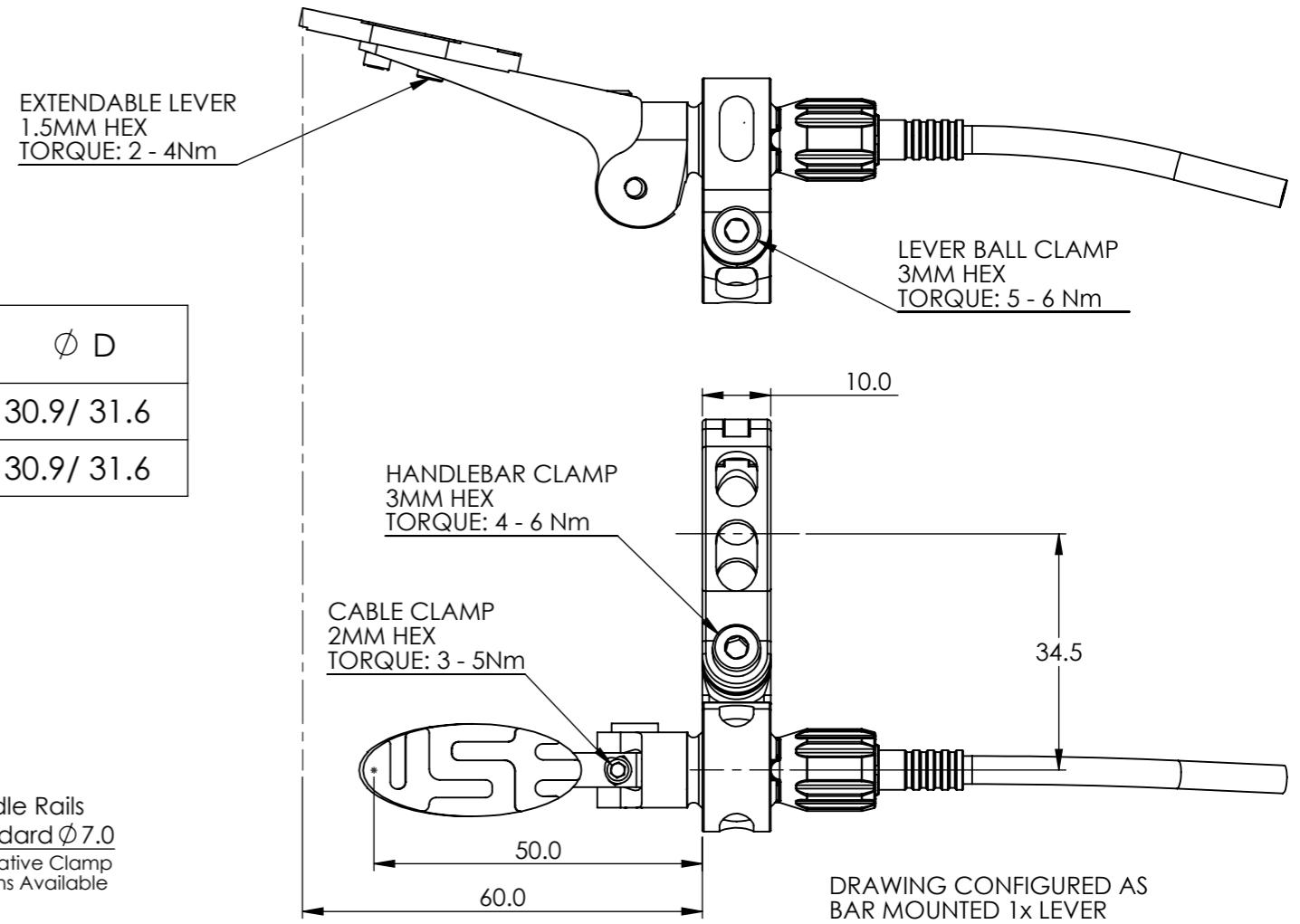
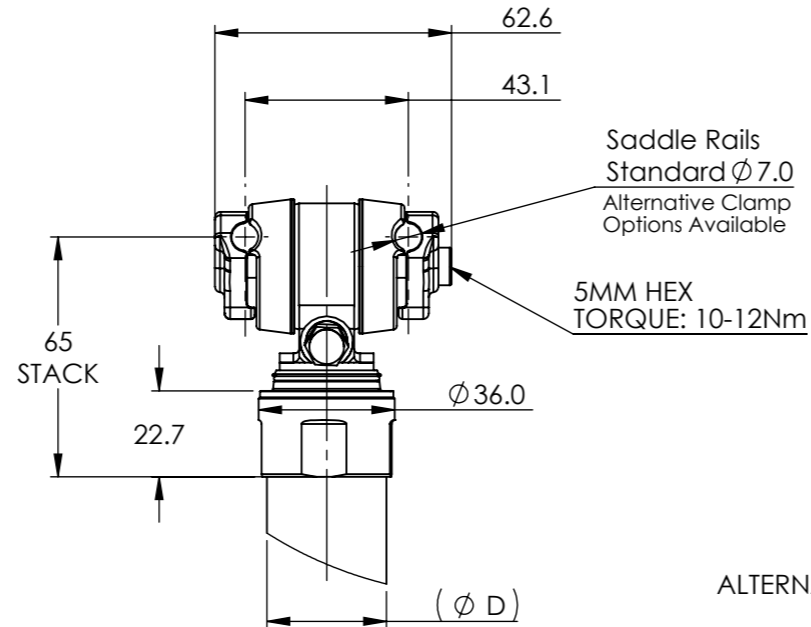
ULTIMATE

EXPOSURE
LIGHTS

INFORMATION CONTAINED IN THIS DRAWING IS THE PROPERTY OF USE-EXPOSURE
ANY REPRODUCTION IN PART OR WHOLE WITHOUT THE WRITTEN PERMISSION OF USE-EXPOSURE IS PROHIBITED
ULTIMATE SPORTS ENGINEERING RESERVE THE RIGHT TO CHANGE SPECIFICATIONS WITHOUT PRIOR NOTICE
MORE INFORMATION AT ULTIMATEUSE.COM
IF IN DOUBT ASK



DESCRIPTION	DROP	L1	L2	ϕ D
HELIX 125	125	425	235	30.9/ 31.6
HELIX 165	165	520	290	30.9/ 31.6



ALTERNATIVE MOUNTING CONFIGURATIONS

